

MULTI-SPEED FAN SWITCHES

Switch
P2-1-300
P3-1-300



■ **Applications**

Applied for speed ON/OFF switching and speed select switching in the fans with multi-speed motors.

■ **Design and control**

The casing is made of plastic. Provision is made for the direct switching of the motor speeds (wiring

diagram 1 and 3) as well as fan switching ON and control synchronically with lightening in the room (wiring diagram 2 and 4).

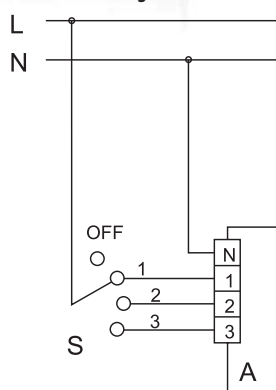
■ **Mounting**

Speed flush is designed for indoor wall mounting inside a flush mounting box. It can be installed into standard round electric junction boxes.

Technical data:

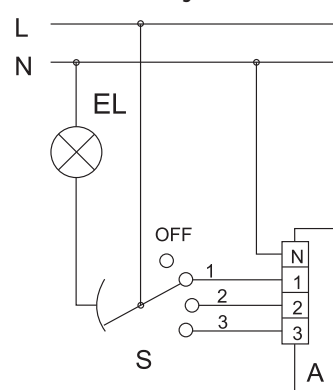
	P2-1-300	P3-1-300
Voltage [V/ 50 Hz]	1~ 230	1~ 230
Rated current [A]	3.0	3.0
Number of selected speeds	2	3
Overall dimensions LxWxH [mm]	88x88x51	88x88x51
Maximum ambient temperature [°C]	40	40
Protection rating	IP 40	IP 40
Weight [kg]	0.13	0.13

diagram 1



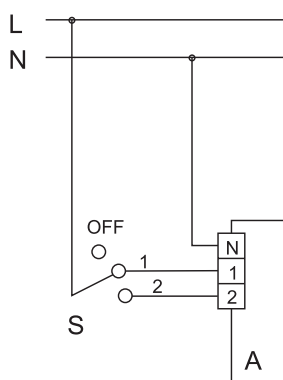
The fan can be manually switched ON to one of the three required speeds or switched OFF by means of external speed switch as P3-1-300.

diagram 2



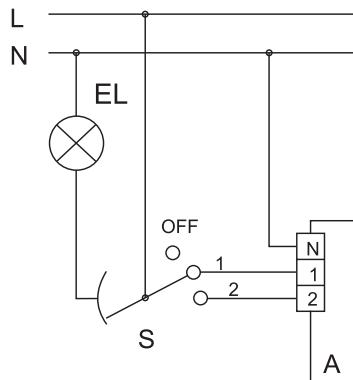
The fan can be manually switched ON to one of three speeds by means of such external S speed switch as P3-1-300. When switching the fan ON the light is switched in parallel ON. The fan can be switched OFF with parallel switching the light OFF. The fan operates both with light or without it.

diagram 3



The fan can be manually switched ON to one of the two required speeds or switched OFF by means of the external speed switch as P2-1-300.

diagram 4



The fan can be manually switched ON to one of three speeds by means of the external S speed switch as P2-1-300. When switching the fan ON the light is switched in parallel ON. The fan can be switched OFF with parallel switching the light OFF. The fan operates both with light or without it.

Switch connection options